

iFlex DT

SEGMENTABLE **POLYMER** TABLET DEDUSTER
DUST-TIGHT
METAL DETECTOR

PHARMA **TECHNOLOGY** 

iFlex
ADVANCE BY TECHNOLOGY



The iFlex range is based on a new generation of segmented, modular spiral molded in Tritan Copolyester.

Each of the spiral segments can be removed individually for easy dismantling, cleaning, and validation, has a high degree of robustness, and is fully transparent. The clear segments provide a direct view to the tablets throughout the process and the modular system allows for adjustable height gain. Additional segments can be added in increments of five to increase the machine's height. Five different conveying heights are available from 500 mm to 1500 mm.

This unit dedusts tablets ranging in size from 4 mm to 25 mm at high speed.

Enlarged circumferential dust extraction channels and central air jets on the tablets improve dedusting efficiency.

A self-regulating vibrating base, with accelerometer, makes it unnecessary to adjust gaps of springs on the unit's base when changing the deduster's tower height, or when transitioning from one product to another.

Utmost care has been taken to simplify the design in order to reduce the amount of parts to be assembled and disassembled, and to eliminate the need for tooling.

Several metal detector brands are available, such as LOCK, CEIA.

The iFlex generation includes dust-tight cover features to reduce operator exposure to the product, and to dust contamination in the production room. Dust-tight systems are modularly upgradable to containment and high-containment washable solutions.

Polymer Modular Spiral



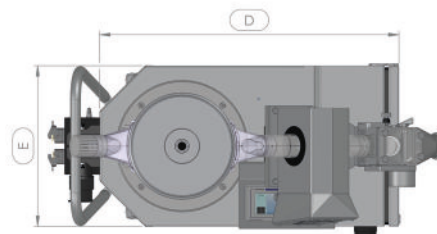
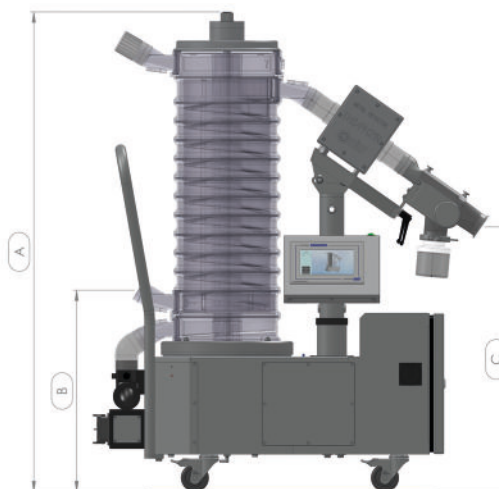
Round metal check dust-tight connectivity



Technical data iFlex :	500	750	1000	1250	1500
Total height (A)	1361 mm	1636 mm	1911 mm	2186 mm	2461 mm
Inlet height (B)	579 mm	579 mm	579 mm	579 mm	579 mm
Outlet height (C) Ceia	763 mm	1038 mm	1313 mm	1588 mm	1863 mm
Outlet height (C) Lock	779 mm	1054 mm	1329 mm	1604 mm	1879 mm
Floor dimensions (DxE)	860 mm x 470 mm	860 mm x 470 mm	860 mm x 470 mm	860 mm x 470 mm	860 mm x 470 mm
Net weight (+/- 5Kg) Ceia	235 Kg	240 Kg	246 Kg	252 Kg	258 Kg
Gross weight (+/-10Kg) Ceia	275 Kg	280 Kg	286 Kg	292 Kg	298 Kg
Net weight (+/- 5Kg) Lock	231 Kg	237 Kg	242 Kg	248 Kg	254 Kg
Gross weight (+/-10Kg) Lock	271 Kg	277 Kg	282 Kg	288 Kg	294 Kg
Containment level available :	Standard «DT» Dust-Tight, «C» Containment OEB3-4, or «HC» High-Containment OEB5 washableLock Insight				

* Depending on options

Technical data all units :	
Inlet chute	Flex Connect © (Ø56,3 mm)
Outlet chute	TC ASME BPE 2,5
Minimum product size	Ø 4 mm / Microtabs: Ø 2 mm
Maximum product size	Ø 25 mm
Conveying adjustment	Vibration Intensity
Self emptying	Yes
Requested air extraction	«Adjustable 150 - 200 m³/h - pressure drop 150 - 1500 Pa»
Dust extraction connection	TC ISO 1127 DN 50
Requested compressed air	80 - 350 l/min - Min. 4,5 bar *
Compressed air connection	KS4
Noise level (without product)	<68 dB (A)
Power supply	110 V to 230 V ± 10 %
Frequency	50 Hz / 60 Hz
Non-Metallic Contact Parts	Tritan MX 711 - POM C - Silicone*
Contact parts finishing	Ra ≤ 0,8 µm
Frame parts	Stainless steel 304
Frame finishing	Mirror polished
Frame mounted on wheels	Yes
IQ-OQ protocol	Available
Material certificates	Available
Packaging	Wooden Box
Metal detector :	Ceia THS/PH21 N Lock Insight
Accuracy stainless steel	0,40 mm 0,50 mm
Accuracy ferro	0,25 mm 0,30 mm
Accuracy non-ferro	0,30 mm 0,35 mm
Capacity / Speed exemples :	tablets / hour
Round Ø 3 x 3,2 mm	18.900.000
Round Ø 8 x 2,8 mm	3.000.000
Round Ø 13 x 3,9 mm	600.000
Round Ø16,2 x 4,2 mm [tabs/h]	400.000
Oblong 16 x 5 x 4,2 mm	1.200.000
Oblong 21,3 x 10,4 x 7 mm	300.000



«C» Containment OEB3-4



«HC» High-Containment OEB5 washable



Optional 4-P IPC Tester



PHARMA TECHNOLOGY



Rue Graham Bell 8
B-1402 Nivelles, BE
Tel: +32 67 70 13 00
info@pharmatec.be
www.pharmatec.be